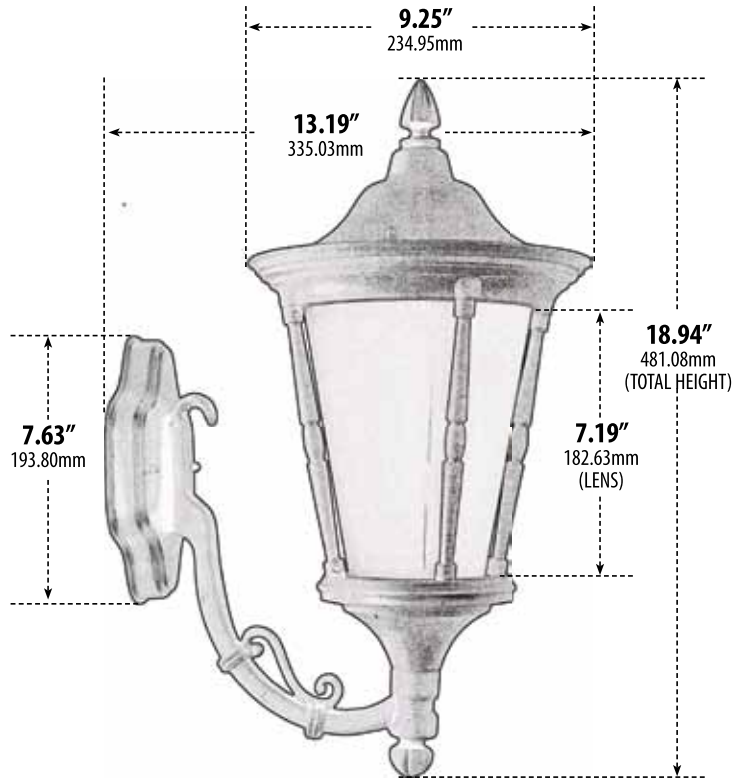


# GM115

## WALL FIXTURE



- ▶ **Material:** Powder Coated Cast Aluminum
- ▶ **Lens:** Acrylic
- ▶ **Available Finish:** Black, White, Verde Green
- ▶ **ETL Approved**

MODEL NUMBER	LAMP TYPE	ILLUMINANT TYPE	WATTS (W)	VOLTS (V)	LAMP(S) INCLUDED?
GM115**	A-Type	Incandescent	60	120	NO
GM117	S13-GU24	Fluorescent	13	120	YES
GM118	S26-GU24	Fluorescent	26	120	YES

\*\*AVAILABLE IN 11W LED Add -LED11 to Model Number  
 \*\*AVAILABLE IN 20W LED Add -LED20 to Model Number

Overall Dimensions:  
 18.94"H x 9.25"W x 13.19"D

Weight: 4.2 lbs  
 Approx. Wire Length: 8"  
 Box Dimensions:  
 18.75"H x 13.75"W x 10.38"D

**DABMAR**  
 LIGHTING

DABMAR LIGHTING INCORPORATED

2140 Eastman Ave . Oxnard, CA 93030 . 805.604.9090 . f: 805.604.9050 . www.dabmar.com