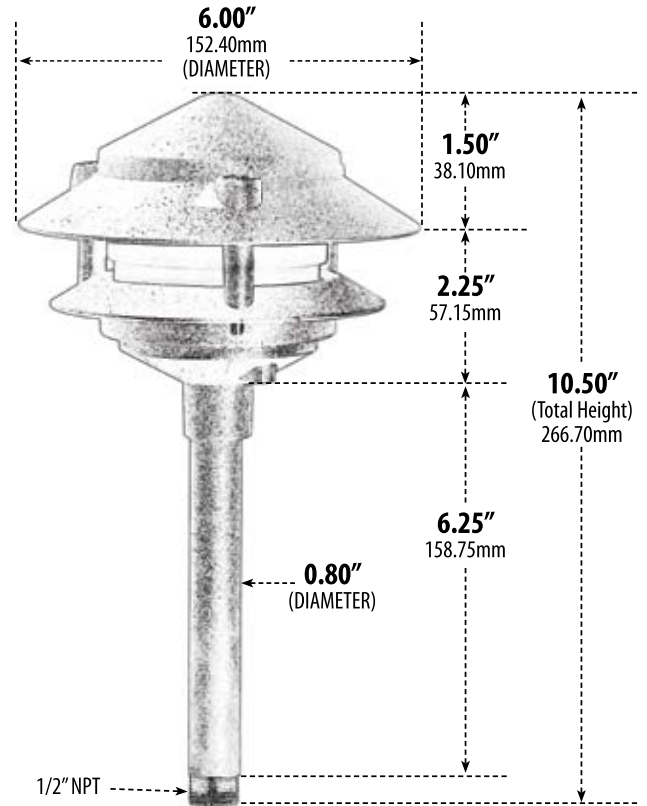


# LV102S

## TWO-TIER PAGODA LIGHT PATH, WALKWAY AND AREA LIGHTING



- ▶ **Material:** Powder Coated Cast Aluminum
- ▶ **Lens:** Frosted, Heat Resistant, Tempered Glass
- ▶ **Lamp:** JC Bi-Pin Base (50W Maximum)

MODEL NUMBER	LAMP TYPE	ILLUMINANT TYPE	WATTS (W)	VOLTS (V)	LAMP(S) INCLUDED?
LV102S	JC	HALOGEN	20	12	YES
LV-LED102S	JC-LED	LED	3.2	12	YES

Pre-wired with UL Listed Direct Burial Wire/Cable

- ▶ **6" Riser Included**
- ▶ **1/2" NPT**
- ▶ **Ground Spike Included for Installation**
- ▶ **Connector Available:** P-CN01 (sold separately)
- ▶ **Available Finish:** Black, Bronze, Green, Verde Green
- ▶ **ETL Approved**

Overall Dimensions:  
10.50"H x 6.00"W x 6.00"D

Weight: 1.40 lbs  
Approximate Wire Length: 22.00"  
Box Dimensions: 6.63"H x 7.13"W x 6.00"D

**DABMAR**  
LIGHTING

DABMAR LIGHTING INCORPORATED

2140 Eastman Ave . Oxnard, CA 93030 . 805.604.9090 . f: 805.604.9050 . www.dabmar.com