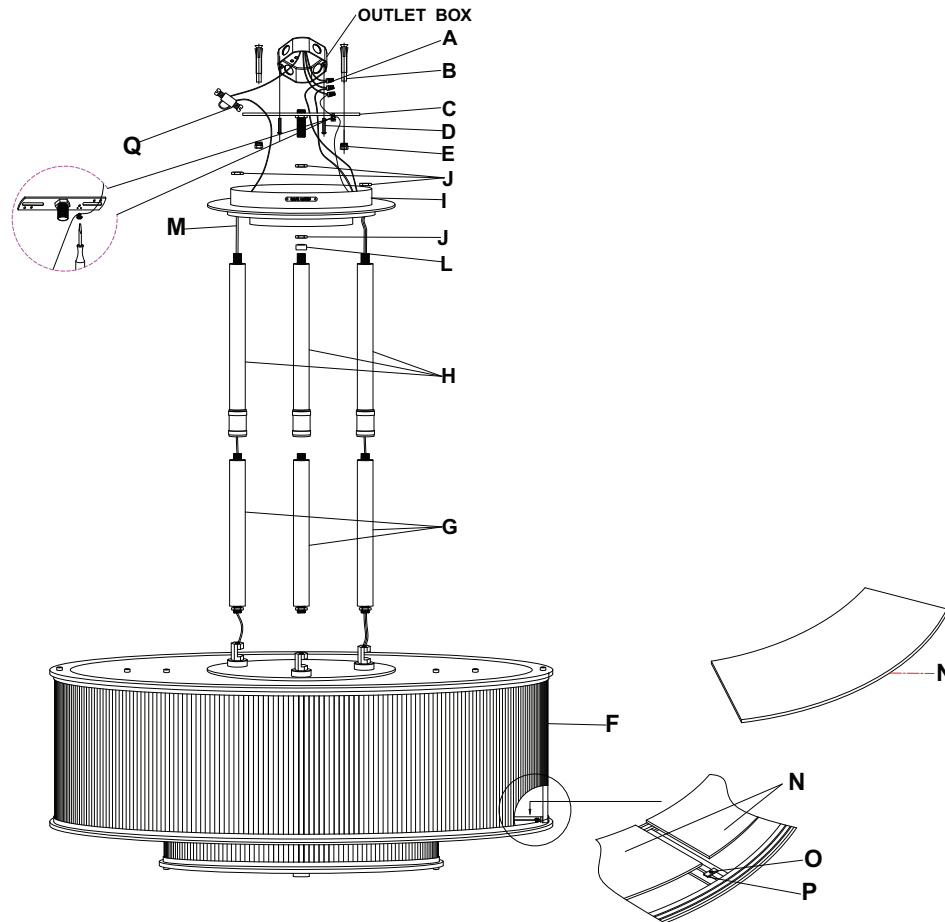


ASSEMBLY INSTRUCTIONS



Allen Large Tiered Chandelier

Item # RL5086

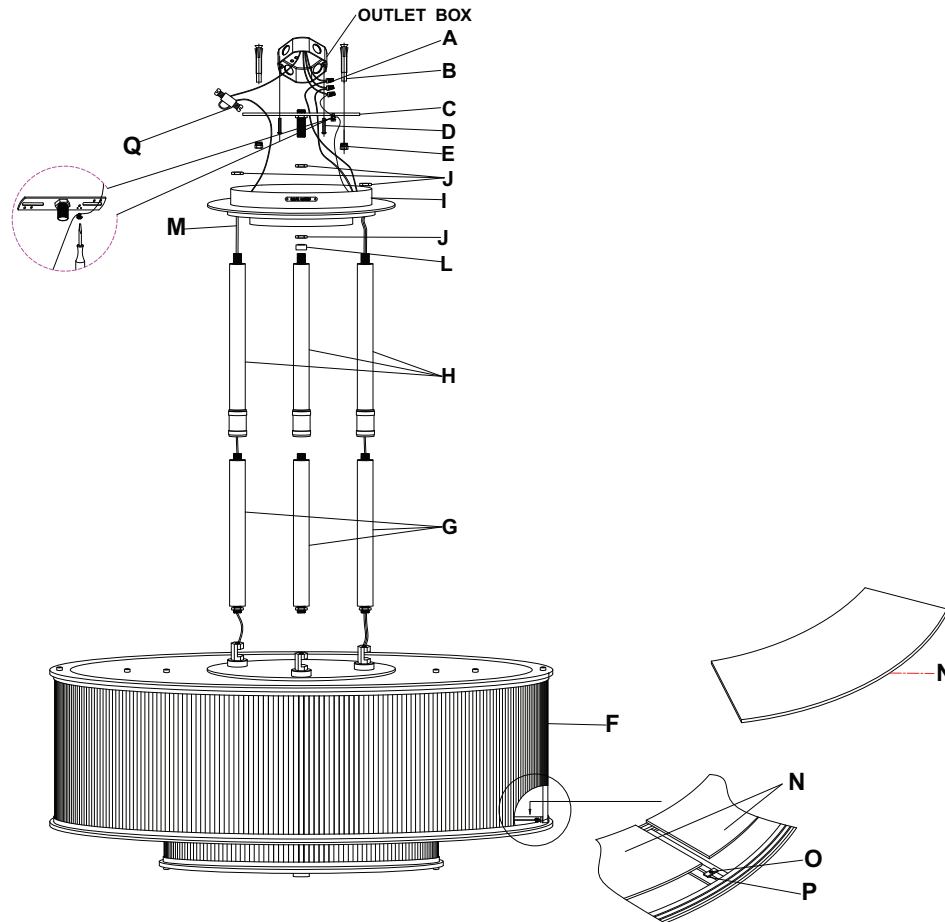
NOTICE:

This light fixture should be installed in accordance with all applicable, local installation codes, and by a person familiar with the construction and operation of it, as well as the hazards involved. Inspect item and contents carefully. If any damage or defect is found, do not install. Retain all packaging material until installation is complete and approved.

1. Carefully remove all parts from the box. Place on a clean, soft surface.
2. Remove the metal tabs (P) from fixture (F) by screwing off screws (O).
3. Install white glass (N) into the fixture (F) by secure the metal tabs (P) using screws (O).
4. Let wires and safety cable (M) pass through studs in tubes (G) and tubes (H).
5. Thread tubes (H) into tubes (G) using inside studs.
6. Remove the canopy (I) from metal plate (K) by screwing off the final (L).
7. Drill four holes onto ceiling and make sure the anchors (B) can be placed in.
8. Pull wires and safety cable (M) through the canopy (I) and mounting plate (C).
9. Fix the canopy (I) into the tubes (H) by nuts (J).
10. Connect ground wire from the light fixture (bare copper) to ground wire from ceiling outlet box (usually green or copper in color).
IT IS IMPERATIVE THAT THIS FIXTURE BE GROUNDED.
11. Connect the Hot wire from the fixture to the hot wire from the ceiling box.
12. Repeat this procedure for the Neutral wire from the fixture to the neutral wire from the ceiling box.
13. Tuck these wire connections neatly in the outlet box.
DO NOT REVERSE HOT AND NEUTRAL CONNECTIONS OR SAFETY WILL BE COMPROMISED.

RALPH LAUREN

ASSEMBLY INSTRUCTIONS



Allen Large Tiered Chandelier

Item # RL5086

NOTICE:

This light fixture should be installed in accordance with all applicable, local installation codes, and by a person familiar with the construction and operation of it, as well as the hazards involved. Inspect item and contents carefully. If any damage or defect is found, do not install. Retain all packaging material until installation is complete and approved.

14. Install anchors (B) into the holes in ceiling.
15. Install mounting plate (C) to the ceiling by screws (E) and to the outlet box by screws (D).
16. Raise the fixture (F) and let canopy (I), metal plate (K) pass through the stud in mounting plate (C) and secure with final (L).
17. Insert bulbs (not included) into sockets and the installation is completed.

THIS LUMINAIRE MUST BE MOUNTED OR SUPPORTED INDEPENDENTLY OF AN OUTLET BOX.

Care Instructions: Clean only with a soft dry cloth or feather duster. Do not use abrasive or chemical agents.

RALPH LAUREN

